

Classification:
Reference:
Date:

BT08-026

ITB08-038

July 25, 2008

REPLACEMENT OF WIPER BLADES

APPLIED VEHICLE(S): 2007 – 2008 G35 (V36)
 2008 G37 (CV36)
 2008 EX (J50)
 2009 FX (S51)

IF YOU CONFIRM

If the windshield wiper blades require replacement for any reason.

ACTIONS

There are refills now available as Service Parts.

Replace the wiper blades with the new refills listed in the Parts Information section of this bulletin.

Do not replace the wiper blade assembly for this issue, if it should occur.

PARTS INFORMATION

MODEL	DESCRIPTION	PART #	QUANTITY
V36	Blade-Wiper Rub-Driver	28895-CB08C	1
	Blade-Wiper Rub-Passenger	28895-JK61A	1
CV36	Blade-Wiper Rub-Driver	28895-CB08C	1
	Blade-Wiper Rub-Passenger	28895-JK01A	1
J50	Blade-Wiper Rub-Driver	28895-1BA0A	1
	Blade-Wiper Rub-Passenger	28895-CB02C	1
S51	Blade-Wiper Rub-Driver	28895-1BA0A	1
	Blade-Wiper Rub-Passenger	28895-JF01A	1

IMPORTANT: The purpose of "ACTIONS" (above) is to give you a quick idea of the work you will be performing. You **MUST** closely follow the entire Service Procedure (starting on page 2) as it contains information that is essential to successfully completing this repair.

Infiniti Bulletins are intended for use by qualified technicians, not 'do-it-yourselfers'. Qualified technicians are properly trained individuals who have the equipment, tools, safety instruction, and know-how to do a job properly and safely. NOTE: If you believe that a described condition may apply to a particular vehicle, DO NOT assume that it does. See your Infiniti dealer to determine if this applies to your vehicle.

CLAIMS INFORMATION

If the wiper blade replacement is not being made as part of a recommended scheduled maintenance service interval, and the need for replacement is due to a defect covered by the basic vehicle limited warranty or the replacement parts warranty, submit a Primary Failed Part (PP) line claim using the claims coding below.

NOTE: Return of replaced wiper blades may be required to verify defects covered by warranties.

DESCRIPTION	PFP	OP CODE	SYM	DIA	FRT
RPL Wiper Blade Refill – One or Both Sides	(1)	RG15AA	ZE	32	(2)

(1) Reference the Parts Information Table and use the applicable Blade Wiper Rub P/N as the PFP.

(2) Reference the current Infiniti Warranty Flat Rate Manual and use the indicated FRT.

SERVICE PROCEDURE

How to Remove a Wiper Blade

1. Lift the wiper arm away from the windshield.



Figure 1

2. Push the release tab on the U-clip. Then move the wiper blade down the wiper arm to remove.



Figure 2

How to Remove a Refill

1. Hold the lip at the end of the blade with long-nose pliers and pull it downward (direction A) as shown in Figure 3.
 - If the lip is damaged, insert long-nose pliers into the space between the end of the refill and the blade and pull the refill out as shown in Figure 4.

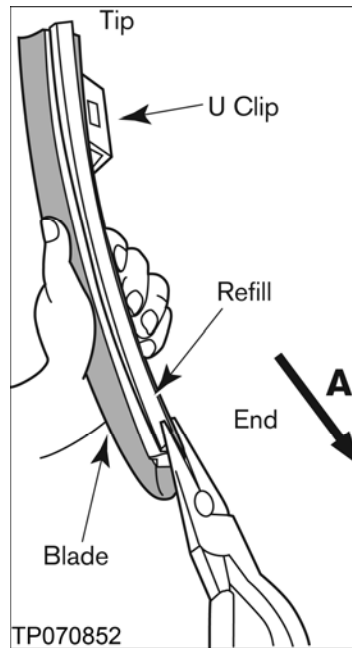


Figure 3

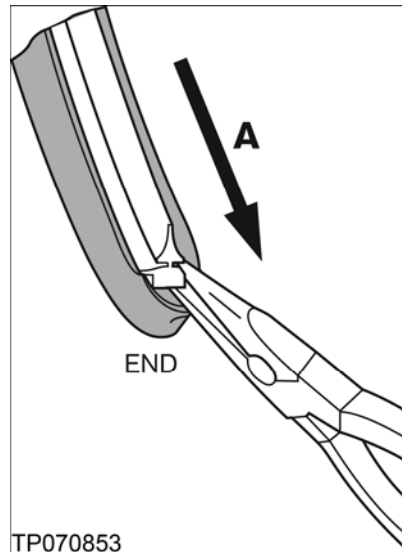


Figure 4

How to Install a Refill

1. Insert the tip of a refill into the end of the blade. See Figure 5.
2. Push the refill in while pressing it onto the end of the blade.
3. After the refill is fully inserted, remove the holder.
4. Slide the refill in so that the rubber is held into place by the tabs located on the blade. See Figure 6.

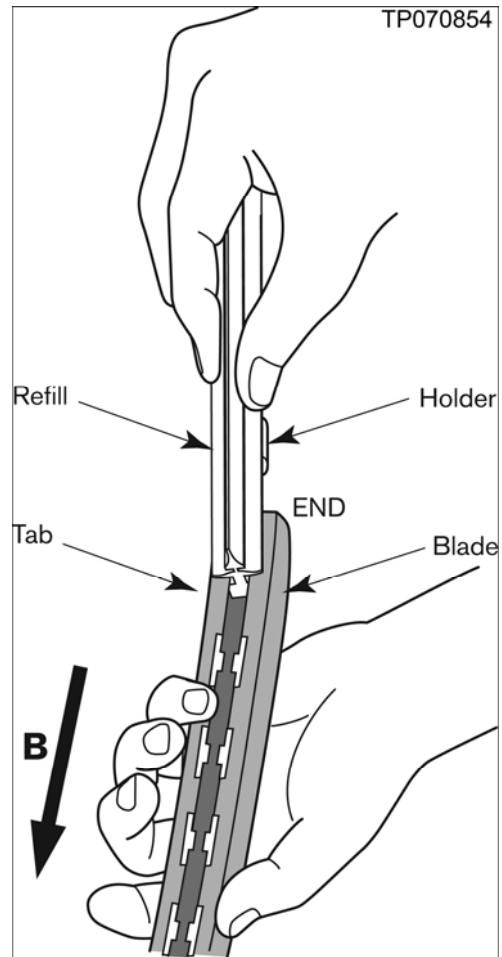


Figure 5

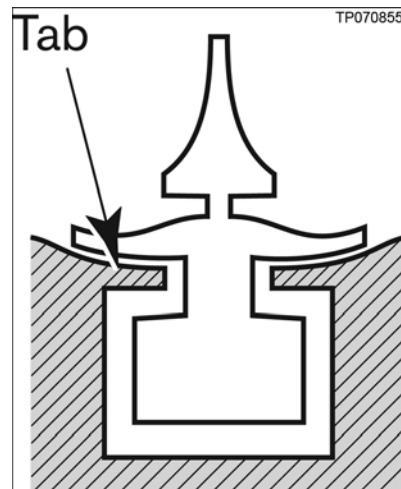


Figure 6

- Push the refill in until the tabs fit into stoppers at the end of the refill.
- Make sure the LOCK mark and the lock point symbol are aligned.
- Check to make sure the refill end is fully covered by the blade as shown in Figure 9.

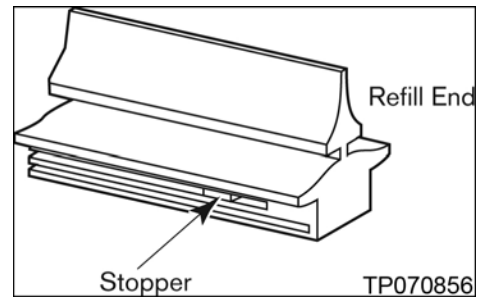


Figure 7

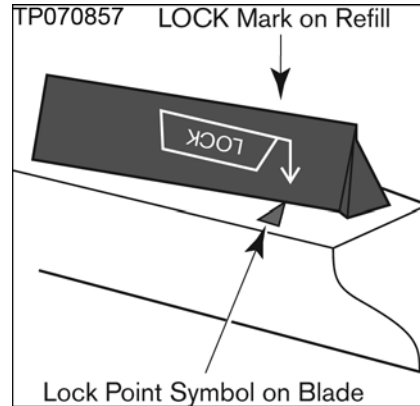


Figure 8

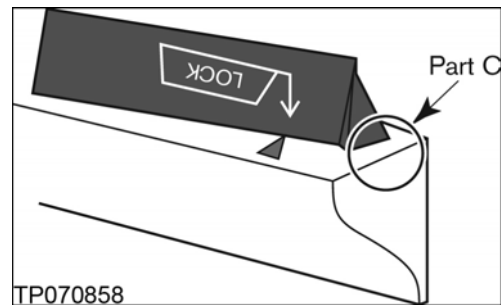


Figure 9

Check the Following after Installing a Refill

- Make sure the lip of the refill is not twisted. If twisted, pull the tip of the lip slightly.
- Check to make sure the refill fits into the tabs. If not, reinsert the refill.
- Check if the refill is not inserted into the tip of the blade. If inserted in this way, reinsert the refill into the end of the blade.

How to Install a Detached Vertebra

- Check that the bending direction of a vertebra is the same as that of the blade and insert the vertebra into the blade.
- If a vertebra has a notch, fit it to a protrusion inside the refill.

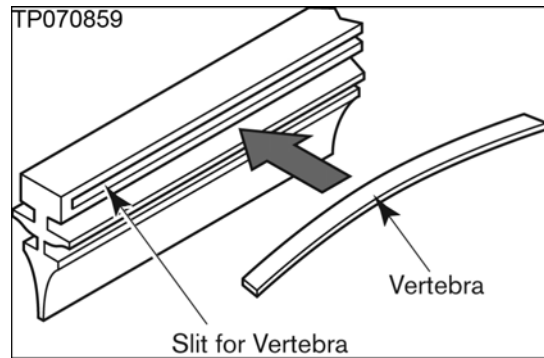


Figure 10

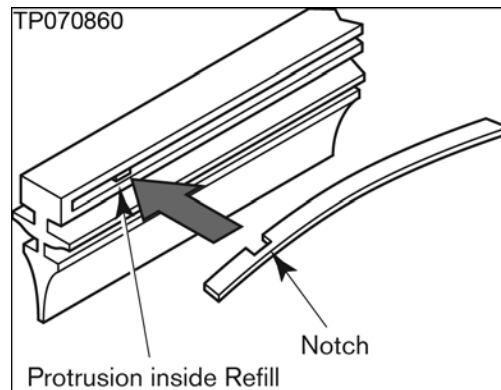


Figure 11

How to Install a Wiper Blade

1. Insert the new wiper blade onto the wiper arm until it clicks into place.



Figure 12

2. Rotate the wiper blade so the dimple is in the groove.

3. Return the new wiper to the original position and release it once it has made contact with the windshield.

CAUTION: Do not drop the wiper arm on the windshield.



Figure 13

