

Classification:

BT09-019

Reference:

ITB09-038

Date:

August 10, 2009

SUNROOF WIND NOISE

APPLIED VEHICLES: M35 / 45 (Y50)
 G35 / 37 Sedan (V36)
 G37 Coupe (CV36)
 FX35 / 50 (S51)
 EX35 (J50)

IF YOU CONFIRM:

A wind noise is coming from the sunroof glass area.

- The noise can be isolated to the sunroof glass area if it stops after covering the sunroof seal with "painter's tape" or equivalent.

ACTION:

Adjust the Sunroof Glass Lid Assembly ("center it" and "level it" in the sunroof opening).

- Refer to the **SERVICE PROCEDURE** of this bulletin for repair instructions.
- For additional information, refer to the appropriate Electronic Service Manual (ESM).
- Do not replace the glass lid assembly (lid) when adjustment can resolve the incident, if it should occur.

CLAIMS INFORMATION

Submit a Primary Operation (PO) line claim using the following claims coding:

M35 / 45 AND G35 / 37 SEDAN

| DESCRIPTION | OP CODE | SYM | DIA | FRT |
|-----------------|---------|-----|-----|-----|
| REPAIR SUN ROOF | BX1JAA | ZM | 44 | 0.2 |

G37 COUPE, FX35 / 50, AND EX35

| DESCRIPTION | OP CODE | SYM | DIA | FRT |
|-----------------|---------|-----|-----|-----|
| REPAIR SUN ROOF | BX1JAA | ZM | 44 | 0.3 |

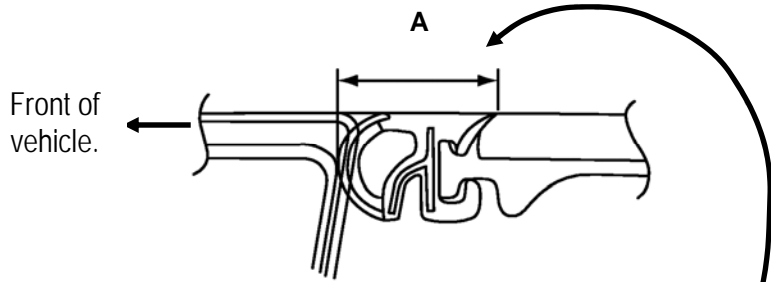
IMPORTANT: The purpose of **ACTION** (above) is to give you a quick idea of the work you will be performing. You **MUST** closely follow the entire Service Procedure (starting on page 2) as it contains information that is essential to successfully completing this repair.

Infiniti Bulletins are intended for use by qualified technicians, not 'do-it-yourselfers'. Qualified technicians are properly trained individuals who have the equipment, tools, safety instruction, and know-how to do a job properly and safely. NOTE: If you believe that a described condition may apply to a particular vehicle, DO NOT assume that it does. See your Infiniti dealer to determine if this applies to your vehicle.

SERVICE PROCEDURE

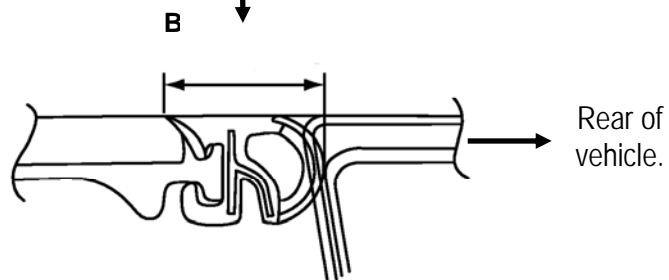
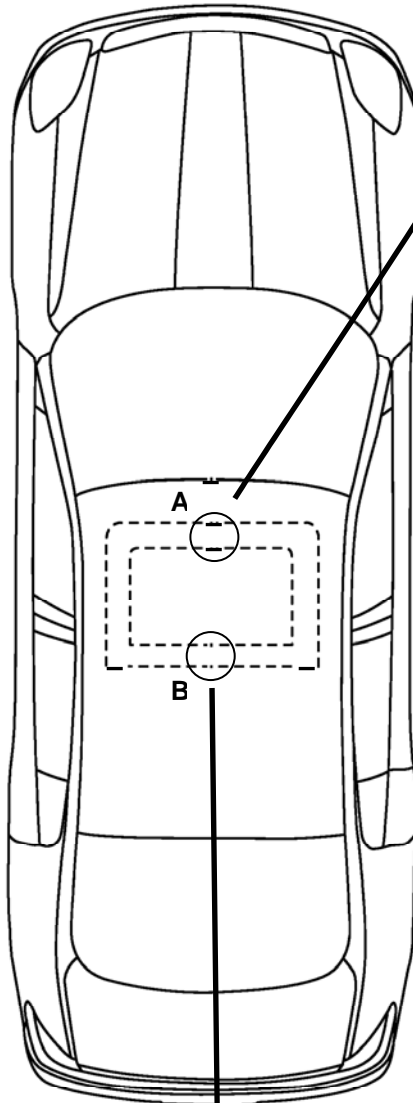
Adjust Sunroof Glass Lid Assembly

1. Clean the Sunroof Glass Lid Assembly (glass lid) seal and sunroof opening edge.
 - Use isopropyl alcohol or suitable cleaner.
2. Inspect the fit of the glass lid. Adjust as needed (refer to Figure 1 on page 3, and Figure 2 on page 4).
 - Use the appropriate ESM as needed.
 - The front of the glass lid should be flush but no more than 0.5 mm below the roof surface.
 - The rear of the glass lid should be flush but no more than 0.5 mm above the roof surface.
 - The difference in the glass lid's front-to-rear gaps should be no greater than 1 mm.



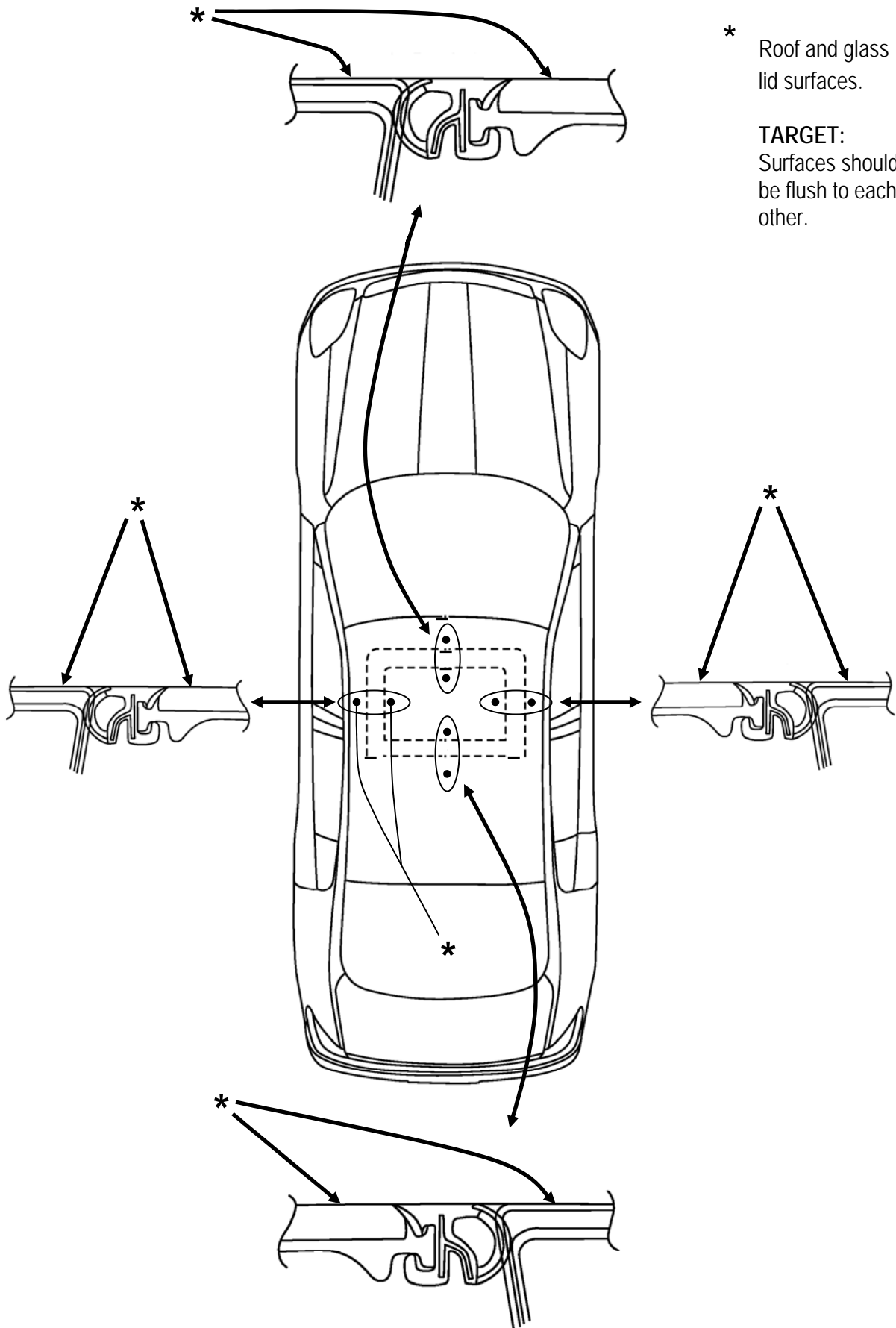
Measure gaps at A and B.

TARGET: Difference no greater than 1 mm.



TP090391

Figure 1



TP090392

Figure 2