

Classification:

BR11-003

Reference:

ITB11-050

COPYRIGHT © NISSAN NORTH AMERICA, INC.

Date:

August 9, 2011

G35/G37; FRONT BRAKE NOISE

APPLIED VEHICLES: 2007-2008 G35 Sedan** (V36) – **Sport** models only
 2008-2011 G37 Coupe** (CV36) – **Non-Sport** models only
 2009-2011 G37 Convertible** (HV36) – **Non-Sport** models only
 Vehicles equipped with single-piston front calipers **ONLY

APPLIED VINS & DATES: 2007-2008 G35 Sedan: All
 2008-2010 G37 Coupe & G37 Convertible: All
 2011 G37 Coupe – AWD Vehicles built before: JN1CV6EL(*)BM 264118 / 13-Jul-2011
 2WD Vehicles built before: JN1CV6EK(*)BM 215496 / 13-Jul-2011
 2011 G37 Convertible - Vehicles built before: JN1CV6FE(*)BM 954311 / 13-Jul-2011

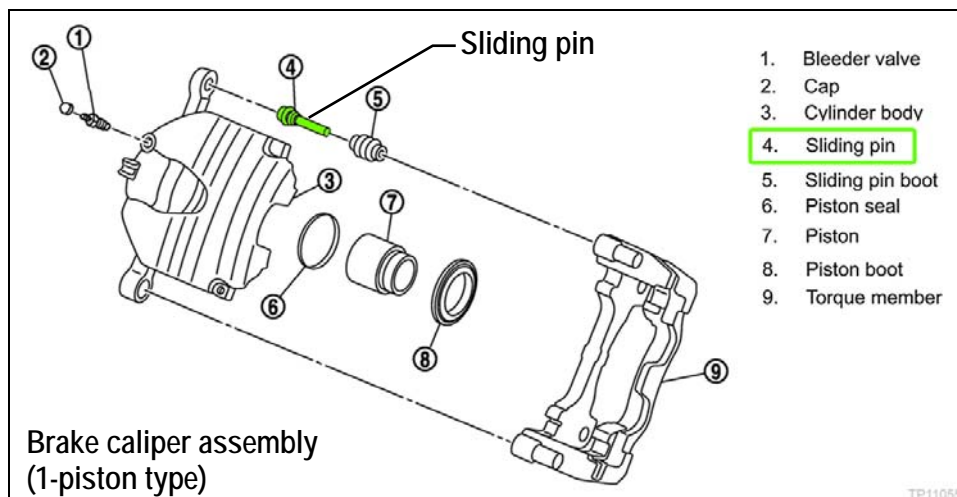
IF YOU CONFIRM

While traveling forward or backward at a slow speed, a squeal or squeak noise is coming from the front brakes when braking.

ACTION

Replace both front brake caliper sliding pins (one on each side of the vehicle) with the ones listed in the Parts Information.

- Refer to the **BR** section of the applicable Electronic Service Manual (ESM) for front brake caliper assembly removal and installation instructions.



Infiniti Bulletins are intended for use by qualified technicians, not 'do-it-yourselfers'. Qualified technicians are properly trained individuals who have the equipment, tools, safety instruction, and know-how to do a job properly and safely. NOTE: If you believe that a described condition may apply to a particular vehicle, DO NOT assume that it does. See your Infiniti retailer to determine if this applies to your vehicle.

PARTS INFORMATION

DESCRIPTION	PART NUMBER	QUANTITY
Sliding-Pin	41133-JK00C	2

CLAIMS INFORMATION

Submit a Primary Part (PP) type line claim using the following claims coding:

DESCRIPTION	PFP	OP CODE	SYM	DIA	FRT
REPLACE FRONT BRAKE SLIDING PINS (BOTH SIDES)	41133-JK00C	PX63AA	DD	21	0.4

